



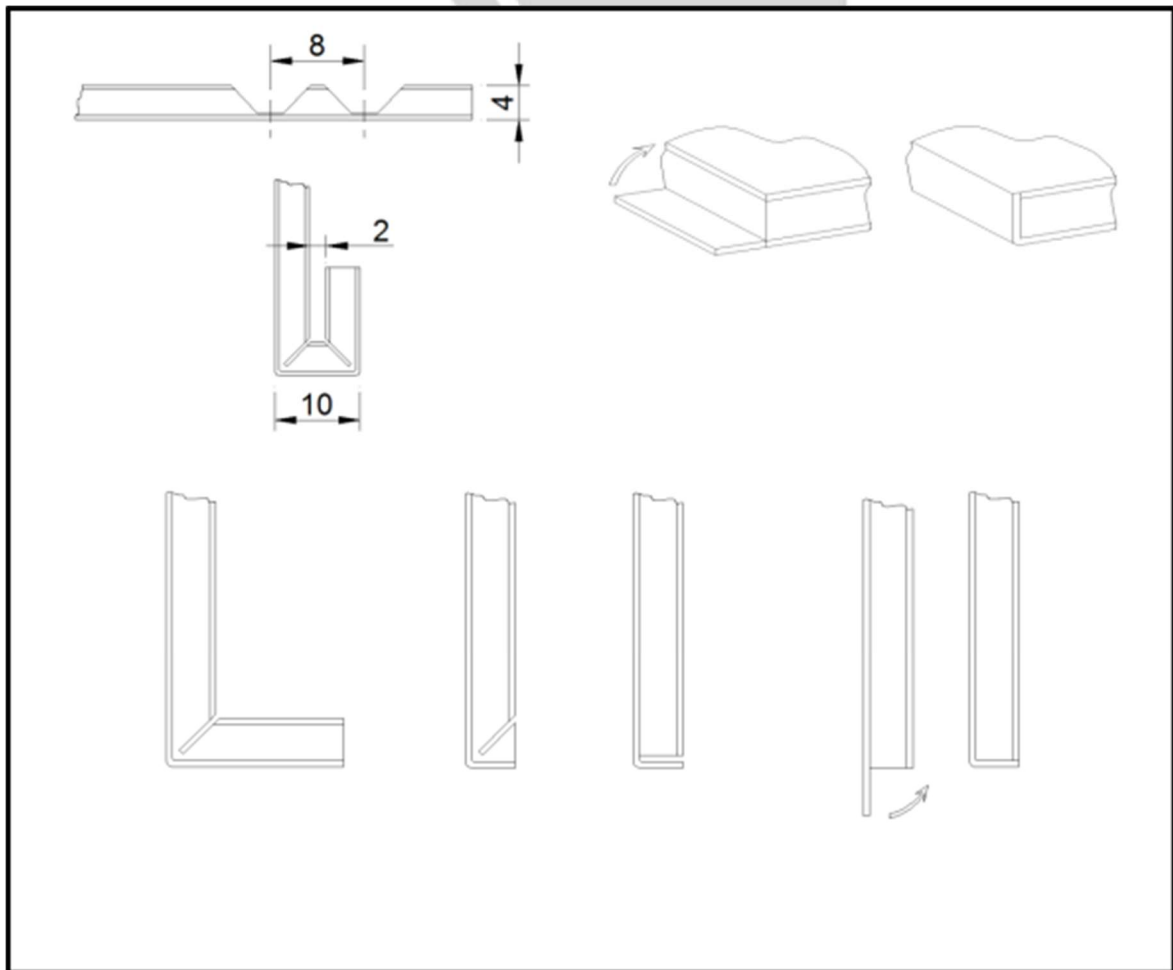
PREVENTION OF EDGE CORROSION

When Aluminium Composite Panel are used in a corrosive atmosphere, corrosion normally takes place at the cut edge and tends to penetrate inside. Please take care of exposed edges.

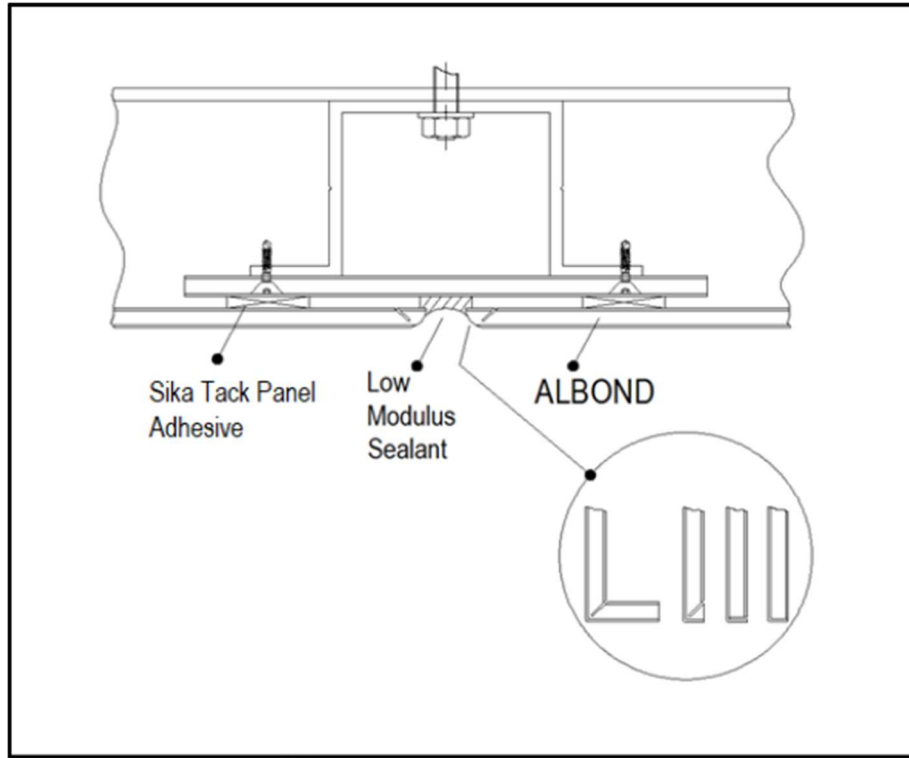
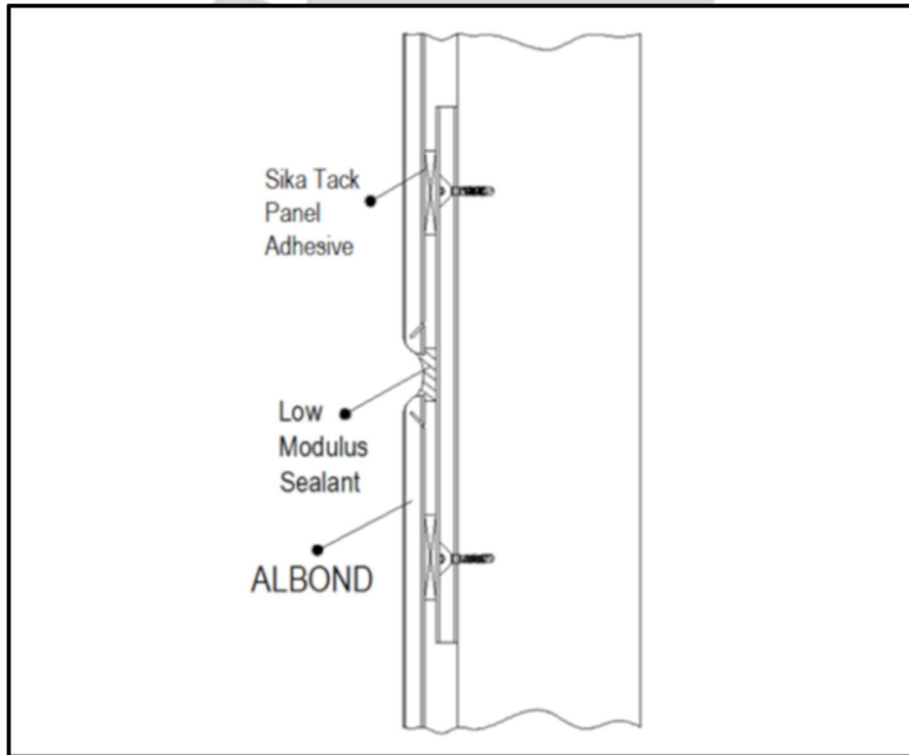
According to environment of project, corrosion or moist conditions may start developing little by little at exposed edges. (cutedges) and tends to advance its way through resulting in the gradual detachment of aluminium skin from the core material. All panels shall have their edges returned to ensure a full strength bond is achieved by the joint sealant.

We strongly recommend you to protect edges. Albond panel edges can be closed out as below details.

All Albond composite panel cladding shall be designed to meet or exceed specified performances required for the weather conditions.



Recommended Panel Edge Protection

***VERTICAL JOINT******HORIZONTAL JOINT***